

MODEL 4321

Specifications

Weight of Versa-Matic . . . 5.3 lbs.

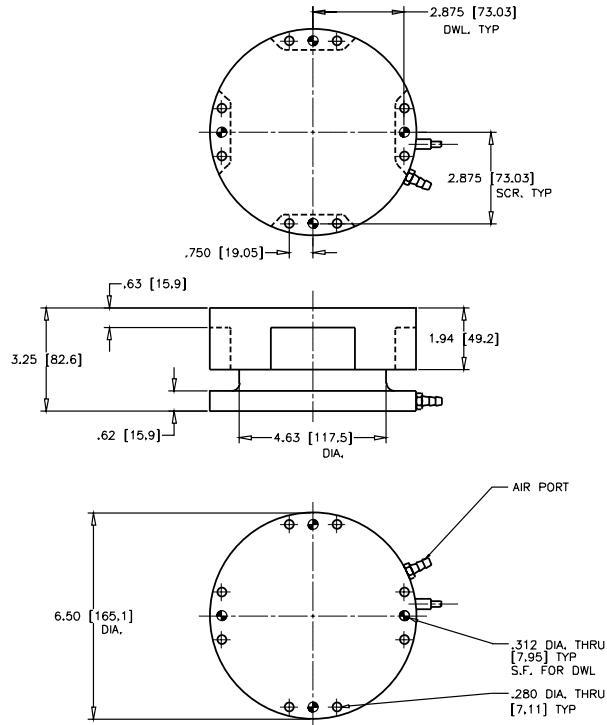
Operating Range –

@ 90 psi (max) . . . 10-2149 in-lb.

Maximum Deflection 6°

Spring Assisted Lower Limits

Model	In-Lb
Z.	Fully Pneumatic
A.	24
B.	26
C.	31
D.	34
E.	45
F.	75
G.	92
H.	113
I.	160
J.	221
K.	253
L.	366



To Determine Air Pressure Requirements:

IN-LB Requirements – Preset Lower Limit (if Applicable) ÷ 23.88 (4321 Constant) = PSI

Example: 800 in-lb – 75 ÷ 23.88 = 30 psi

MODEL 4322

Specifications

Weight of Versa-Matic 18 lbs.

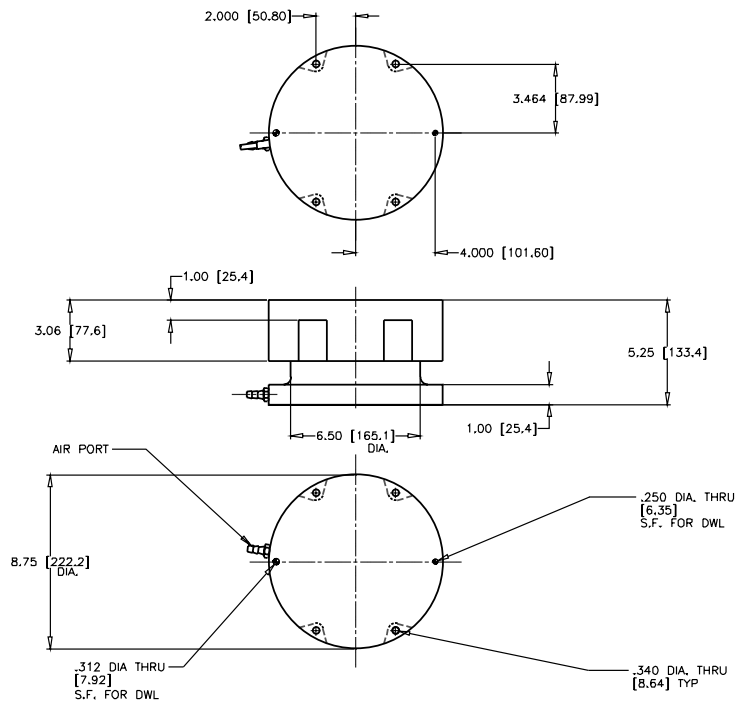
Operating Range –

@ 90 psi (max) . . . 20-6858 in-lb.

Maximum Deflection 8°

Spring Assisted Lower Limits

Model	In-Lb
Z.	Fully Pneumatic
A.	39
B.	58
C.	110
D.	156
E.	195
F.	227
G.	255
H.	303
I.	384
J.	633



To Determine Air Pressure Requirements:

IN-LB Requirements – Preset Lower Limit (if Applicable) ÷ 76.21 (4322 Constant) = PSI

Example: 4000 in-lb – 227 ÷ 76.21 = 49 psi