

MODEL 4421

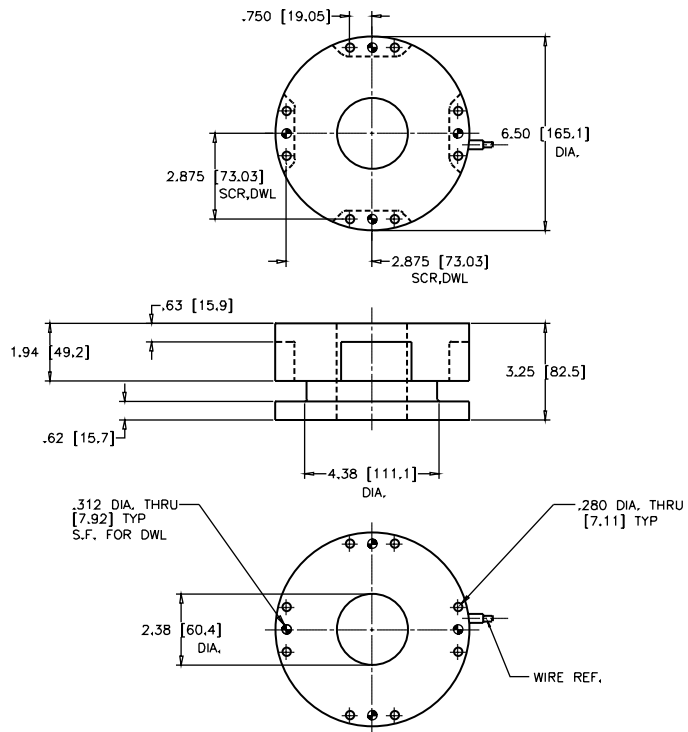
Specifications

Weight of Uni-Coupler . . . 3.4 lbs.

Maximum Deflection 7°

Moment Resistance Setting (in-lb)

Model	In-Lb
A	80.8
B	161.7
C	214.7
D	252.4
E	333.3
F	466.7
G	533.8
H	671.1
I	823.6
J	960.9
K	1067.6



NOTE: An Outrigger is not available for Model 4421.

MODEL 4422

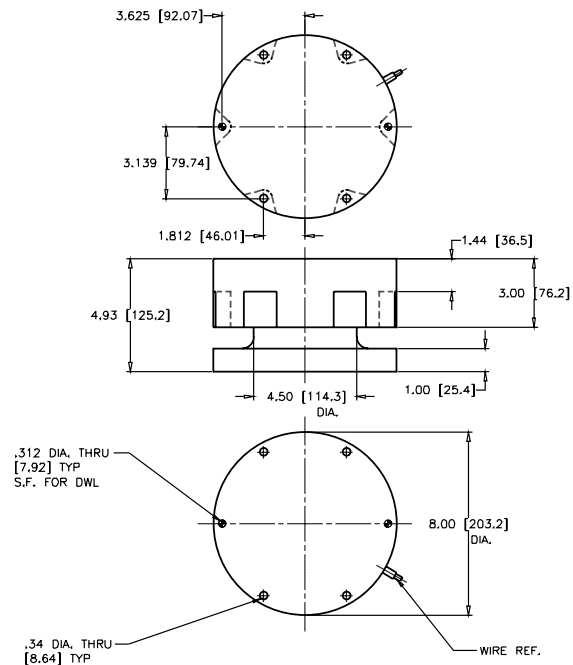
Specifications

Weight of Uni-Coupler . . . 11 lbs.

Maximum Deflection 8°

Moment Resistance Setting (in-lb)

Model	In-Lb	Model	In-Lb
A	735.4	O	4446.5
B	1006.2	P	4759.8
C	1180.1	Q	4979.1
D	1328.3	R	5229.7
E	1519.2	S	5449.0
F	1832.5	T	5942.0
G	2137.7	U	6204.0
H	2451.0	V	6653.3
I	2670.3		
J	2920.9		
K	3334.9		
L	3648.2		
M	3867.5		
N	4118.2		



NOTE: An Outrigger is not available for Model 4422.