



Model U-4622-SA

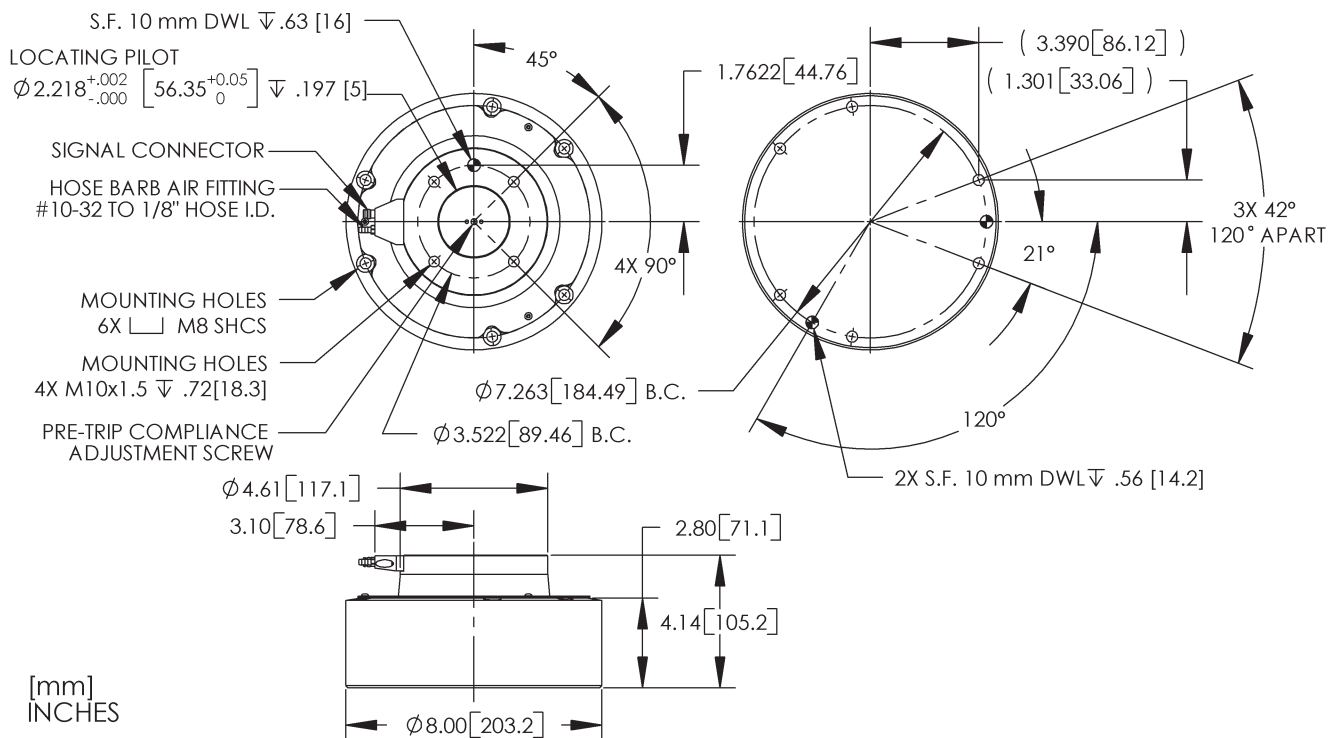
# MODEL U-4622-SA

## Spring-Assist Ultimatic™ Collision Sensor

Moment Resistance† Variable from 0 to 90 psi (0 to 6.2 bar)	3500 - 7630 in-lb 396 - 862 Nm	Repeatability (about z axis) Measured at center and O.D. of tool plate	±0.017 deg
Torque Resistance† Variable from 0 to 90 psi (0 to 6.2 bar)	3290 - 8520 in-lb 372 - 963 Nm	Mass	13.5 lbs 6.12 kg
Force Resistance† Variable from 0 to 90 psi (0 to 6.2 bar)	950 - 2260 lbf 107 - 255 N	Height	4.14 in 105.2 mm
Angular Compliance	±5 deg ±0.087 rad	Diameter	8.00 in 203.2 mm
Rotational Compliance	±11 deg ±0.19 rad	Adjustable Pre-Trip Compliance Switch Sensitivity	0 to 0.100 in 0 to 2.54 mm
Axial Compliance Compression	0.5 in 12.7 mm	Temperature Rating	-30° to 180°F -34° to 82°C
Repeatability (x, y & z) Measured at center and O.D. of tool plate	±0.0005 in ±0.0127 mm	Sensor	10 - 30 VDC 200mA normally closed switch
		Response Time	4 - 10 ms

†Resistance at the factory setting of 0.050" (1.3 mm) pre-trip compliance. Resistance increases slightly as the pre-trip compliance is increased.

NOTE: The U-4622-SA must be electrically isolated from the robot when the tooling below it has a voltage potential.



### For More Information:

- Call us at 937.667.5705
- E-mail us at [info@rad-ra.com](mailto:info@rad-ra.com)
- Visit [www.rad-ra.com](http://www.rad-ra.com) for the most up-to-date product information, 2D and 3D CAD files, and more!