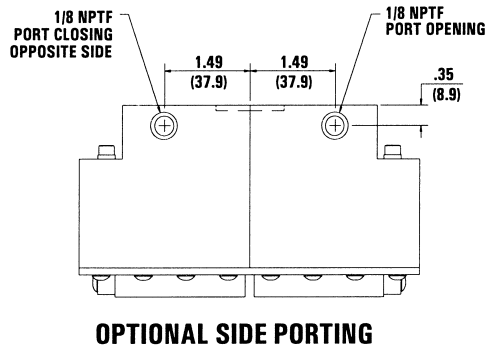


MODEL P-6950

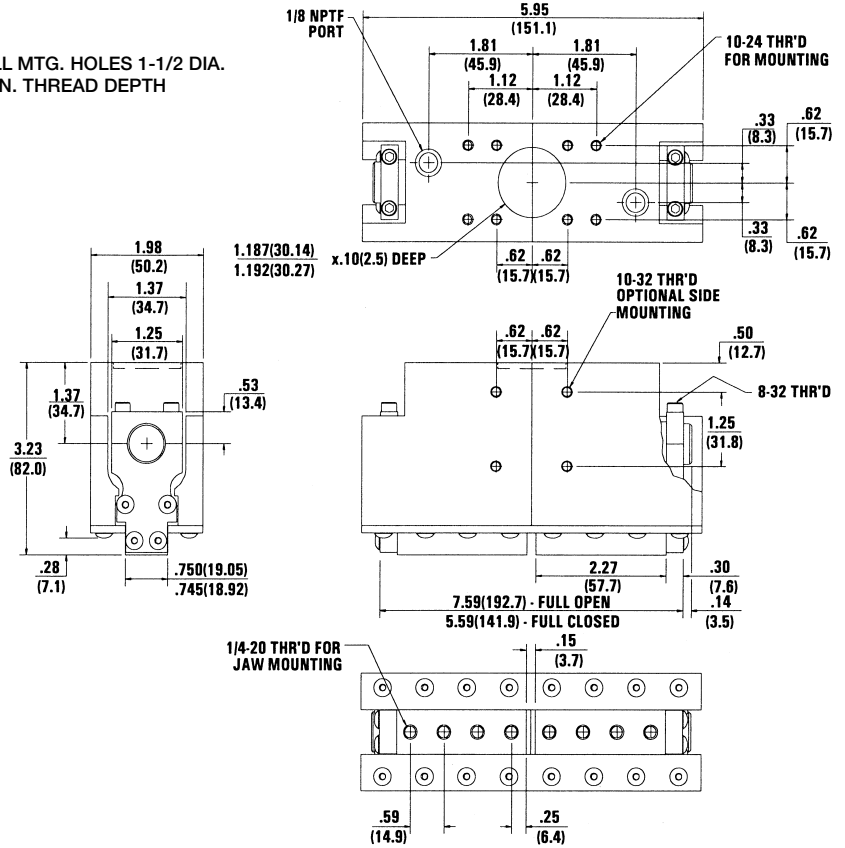
Long Stroke

Specifications

Stroke 2.00 in. (50.8mm)
 Gripping Force—Closing @ 100 psi (6.8 bar)
 58.2 lbs. (26.4 kgf)
 Gripping Force—Opening @ 100 psi (6.8 bar)
 97.9 lbs. (44.4 kgf)
 Weight 4.33 lbs. (1.96 kg)
 Operating Displacement 2.184 in³ (35.78 cm³)
 Maximum Operating Pressure 250 psi (17.0 bar)



*ALL MTG. HOLES 1-1/2 DIA.
 MIN. THREAD DEPTH



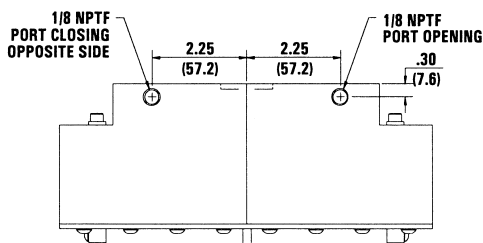
MODEL P-7000

Long Stroke

Specifications

Stroke 3.00 in. (76.2mm)
 Gripping Force—Closing @ 100 psi (6.8 bar)
 136.8 lbs. (62.0 kgf)
 Gripping Force—Opening @ 100 psi (6.8 bar)
 216.5 lbs. (98.2 kgf)
 Weight 9.24 lbs. (4.19 kg)
 Operating Displacement 7.216 in³ (118.24 cm³)
 Maximum Operating Pressure 250 psi (17.0 bar)

OPTIONAL SIDE PORTING



*ALL MTG. HOLES 1-1/2 DIA.
 MIN. THREAD DEPTH

