

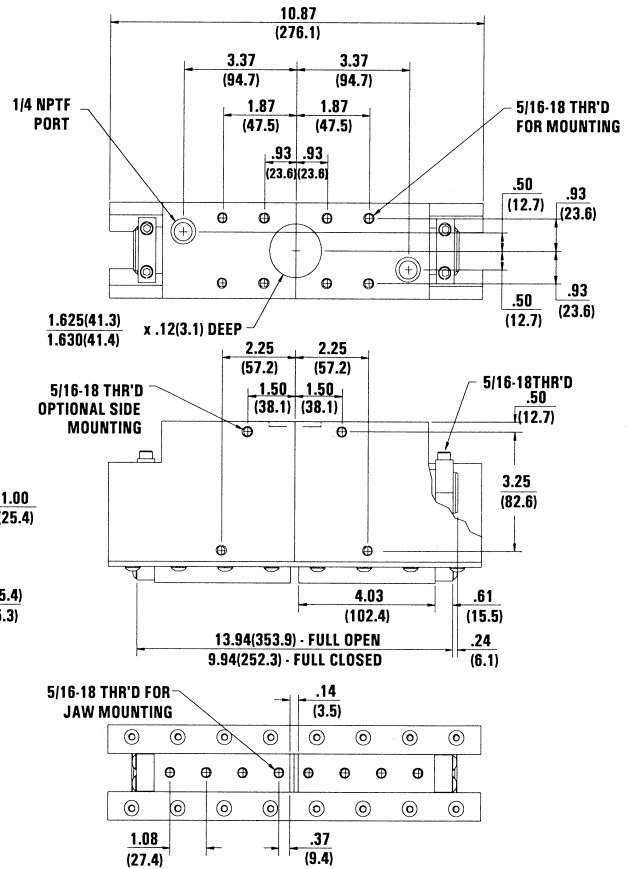
# MODEL P-7100

## Long Stroke

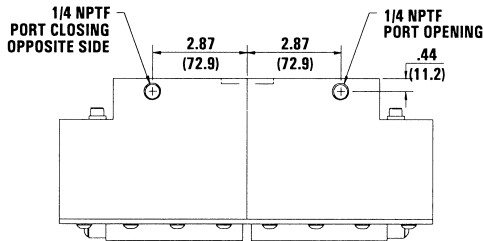
### Specifications

Stroke..... 4.00 in. (101.6mm)  
 Gripping Force–Closing @ 100 psi (6.8 bar)  
 ..... 223.1 lbs. (101.2 kgf)  
 Gripping Force–Opening @ 100 psi (6.8 bar)  
 ..... 311.7 lbs. (141.4 kgf)  
 Weight ..... 16.38 lbs. (7.43 kg)  
 Operating Displacement .. 13.894 in<sup>3</sup> (227.68 cm<sup>3</sup>)  
 Maximum Operating Pressure.. 250 psi (17.0 bar)

\*ALL MTG. HOLES 1-1/2 DIA.  
 MIN. THREAD DEPTH



### OPTIONAL SIDE PORTING



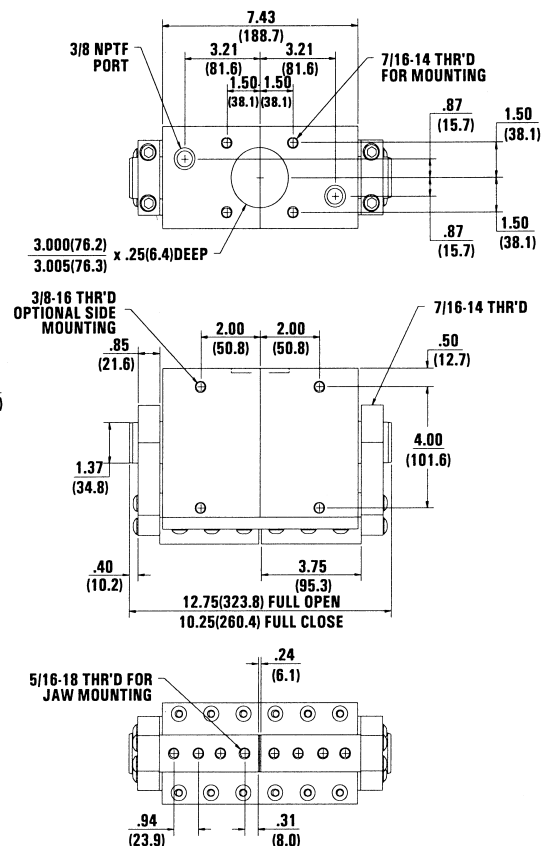
# MODEL P-7150

## Standard Stroke

### Specifications

Stroke..... 2.50 in. (83.5mm)  
 Gripping Force–Closing @ 100 psi (6.8 bar)  
 ..... 503.5 lbs. (228.4 kgf)  
 Gripping Force–Opening @ 100 psi (6.8 bar)  
 ..... 636.2 lbs. (288.7 kgf)  
 Weight ..... 28.5 lbs. (12.927 kg)  
 Operating Displacement .. 17.671 in<sup>3</sup> (289.6 cm<sup>3</sup>)  
 Maximum Operating Pressure.. 250 psi (17.0 bar)

\*ALL MTG. HOLES 1-1/2 DIA.  
 MIN. THREAD DEPTH



### OPTIONAL SIDE PORTING

