

# MODEL 4419

## Specifications

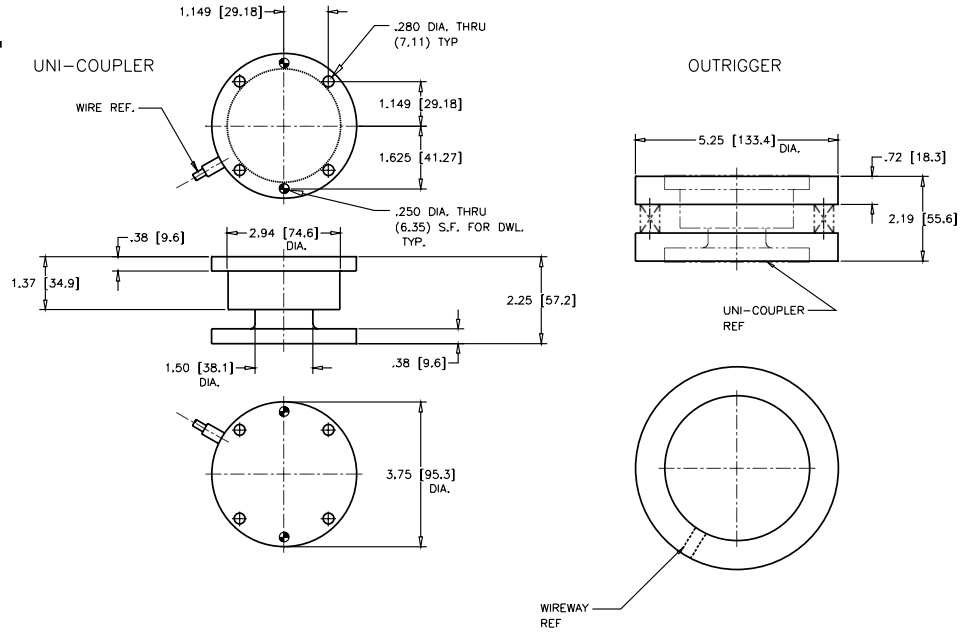
Weight of Uni-Coupler . . . 1.1 lbs.

Weight with Outrigger . . . 1.8 lbs.

Maximum Deflection . . . . . 15°

### Moment Resistance Setting (in-lb)

Model	In-Lb
A . . . . .	12.7
B . . . . .	14.5
C . . . . .	19.1
D . . . . .	31.8
E . . . . .	38.0
F . . . . .	43.7
G . . . . .	49.8
H . . . . .	87.3
I . . . . .	107.3
J . . . . .	137.3
K . . . . .	154.8
L . . . . .	173.0
M . . . . .	178.7



*Models G through M include Outrigger.*

# MODEL 4420

## Specifications

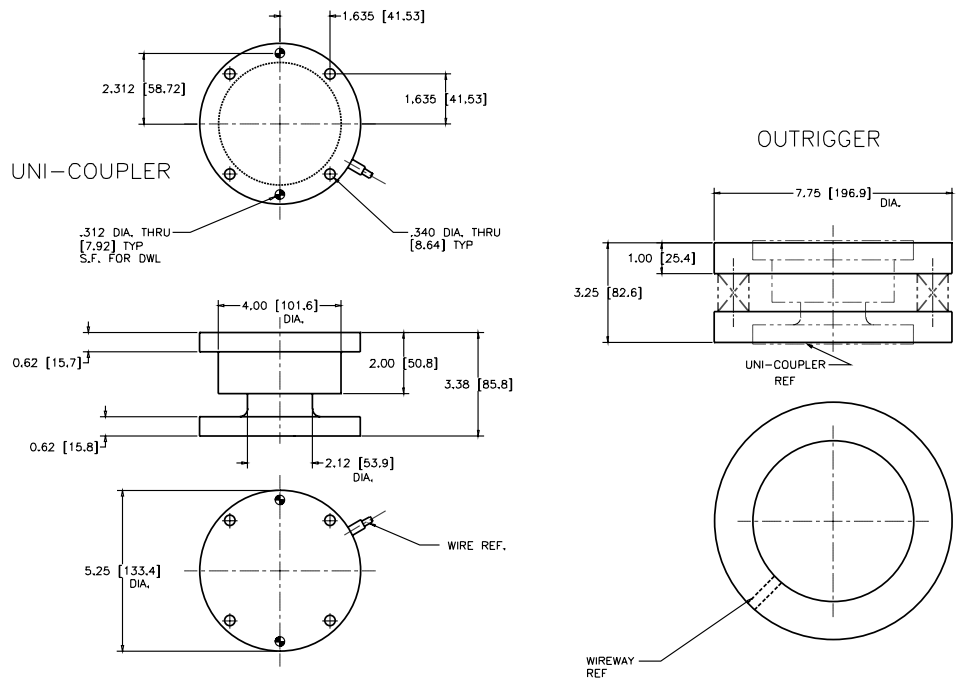
Weight of Uni-Coupler . . . 2.3 lbs.

Weight with Outrigger . . . 4.3 lbs.

Maximum Deflection . . . . . 15°

### Moment Resistance Setting (in-lb)

Model	In-Lb
A . . . . .	50.0
B . . . . .	59.3
C . . . . .	70.6
D . . . . .	102.7
E . . . . .	126.8
F . . . . .	223.6
G . . . . .	252.0
H . . . . .	303.0
I . . . . .	423.0
J . . . . .	462.0
K . . . . .	550.6
L . . . . .	606.8



*Models F through L include Outrigger.*