

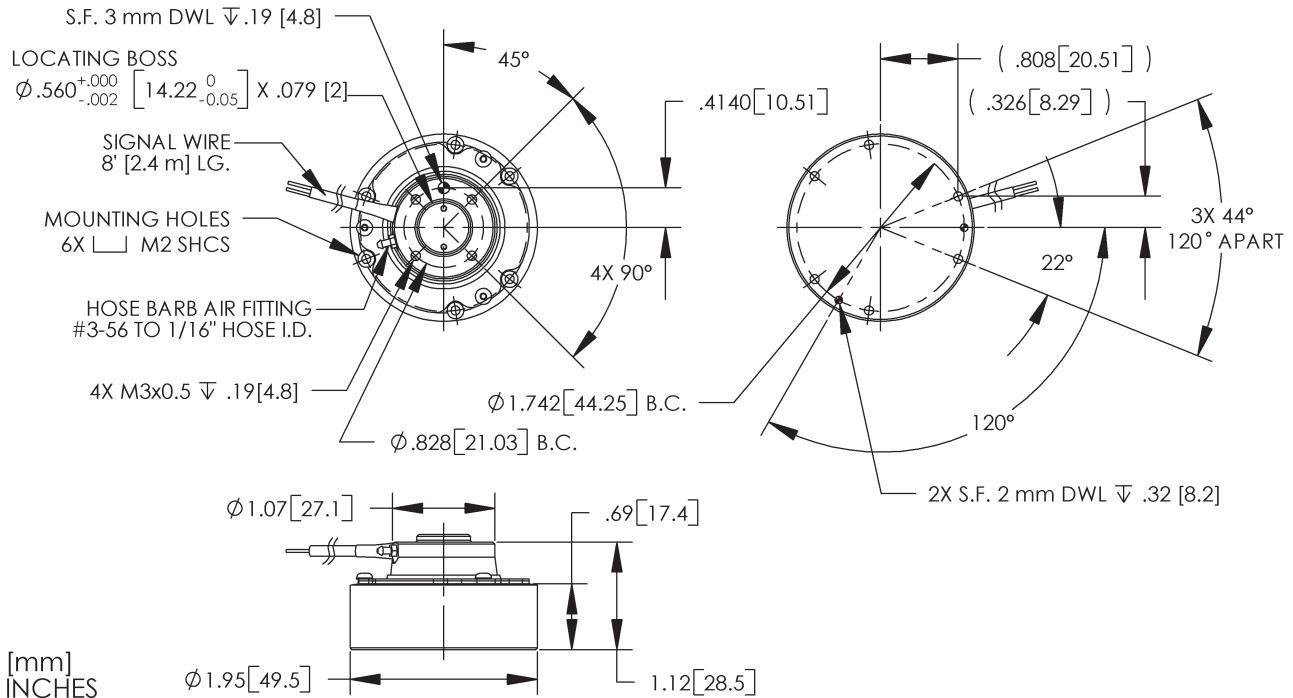
# MODEL U-4618

Moment Resistance† Variable from 10 to 90 psi (0.68 to 6.2 bar)	15 - 62 in-lb 2 - 7 Nm	Repeatability (about z axis) Measured at center and O.D. of tool plate	±0.017 deg
Torque Resistance† Variable from 10 to 90 psi (0.68 to 6.2 bar)	12 - 66 in-lb 1 - 7 Nm	Mass	0.2 lb 0.09 kg
Force Resistance† Variable from 10 to 90 psi (0.68 to 6.2 bar)	18 - 91 lbf 80 - 405 N	Height	1.12 in 28.5 mm
Angular Compliance	±8 deg ±0.14 rad	Diameter	1.95 in 49.5 mm
Rotary Compliance	±24 deg ±0.42 rad	Pre-Trip Compliance Range of Adjustability	Factory adjustable from 0 to 0.080 in. (0 to 2.03 mm)
Axial Compliance Compression	0.18 in 4.6 mm	Temperature Rating	-30° to 185°F -34° to 85°C
Repeatability (x, y & z) Measured at center and O.D. of tool plate	±0.0005 in ±0.0127 mm	Sensor	10 - 30 VDC 200mA normally closed switch
		Response Time	2 - 6 ms

†Resistance at the factory setting of 0.025" (0.64 mm) compliance. Resistance increases slightly as the pre-trip compliance is increased.

NOTE: The U-4618 model size is only available hard-wired.

The U-4618 must be electrically isolated from the robot when the tooling below it has a voltage potential.



Visit [www.rad-ra.com](http://www.rad-ra.com) for the most up-to-date product information, 2D and 3D CAD files, and more!