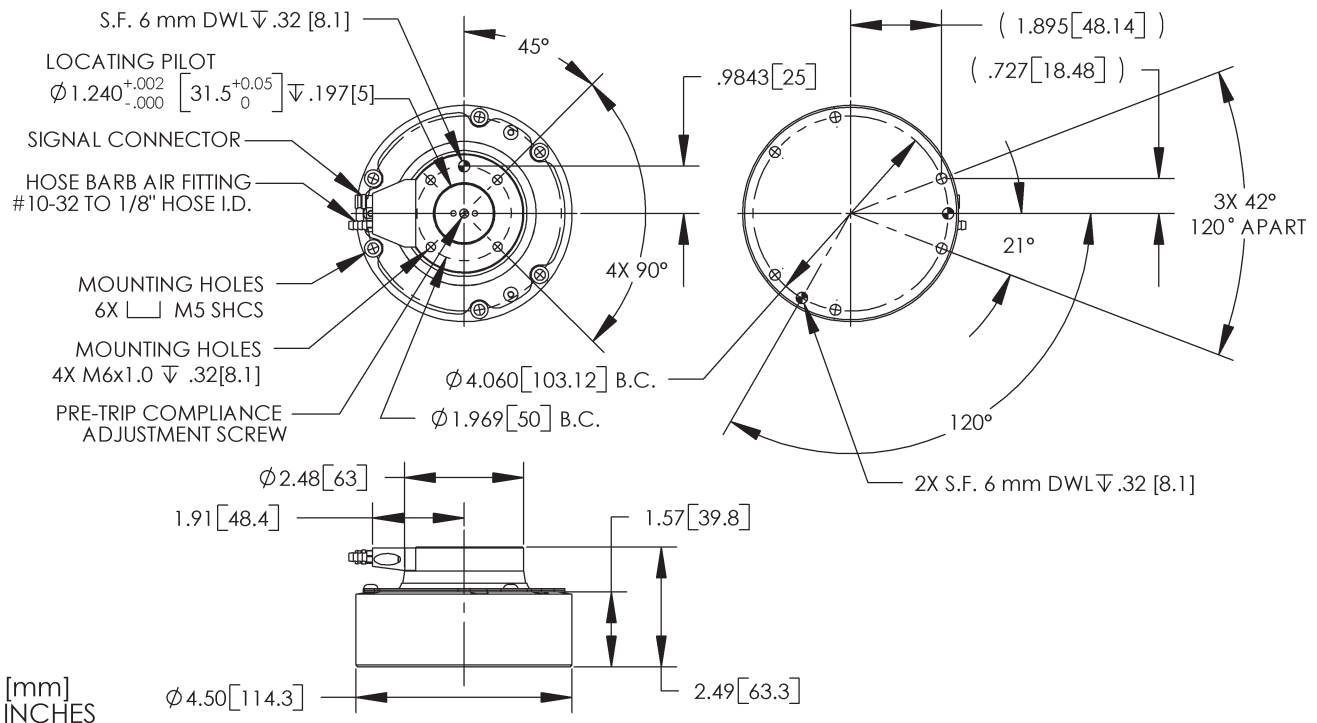


# MODEL U-4620

Moment Resistance† Variable from 10 to 90 psi (0.68 to 6.2 bar)	129 - 704 in-lb 15 - 80 Nm	Repeatability (about z axis) Measured at center and O.D. of tool plate	±0.017 deg
Torque Resistance† Variable from 10 to 90 psi (0.68 to 6.2 bar)	96 - 784 in-lb 11 - 89 Nm	Mass	2.25 lb 1.02 kg
Force Resistance† Variable from 10 to 90 psi (0.68 to 6.2 bar)	67 - 425 lbf 298 - 1,891 N	Height	2.49 in 63.3 mm
Angular Compliance	±8 deg ±0.14 rad	Diameter	4.50 in 114.3 mm
Rotary Compliance	±24 deg ±0.42 rad	Pre-Trip Compliance Range of Adjustability	0 to 0.100 in 0 to 2.54 mm
Axial Compliance Compression	0.42 in 10.7 mm	Temperature Rating	-30° to 210°F -34° to 99°C
Repeatability (x, y & z) Measured at center and O.D. of tool plate	±0.0005 in ±0.0127 mm	Sensor	10 - 30 VDC 200mA normally closed switch
		Response Time	2 - 6 ms

†Resistance at the factory setting of 0.025" (0.64 mm) compliance. Resistance increases slightly as the pre-trip compliance is increased.

NOTE: The U-4620 must be electrically isolated from the robot when the tooling below it has a voltage potential.



Visit [www.rad-ra.com](http://www.rad-ra.com) for the most up-to-date product information, 2D and 3D CAD files, and more!