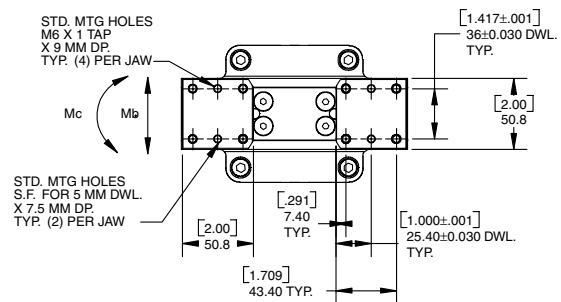
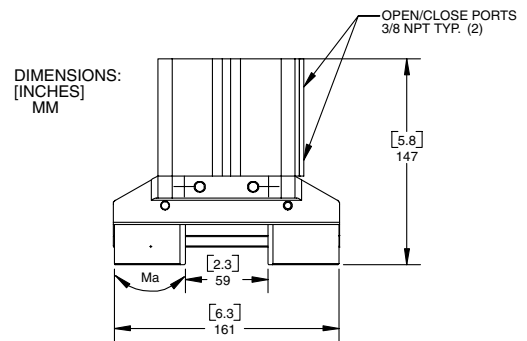
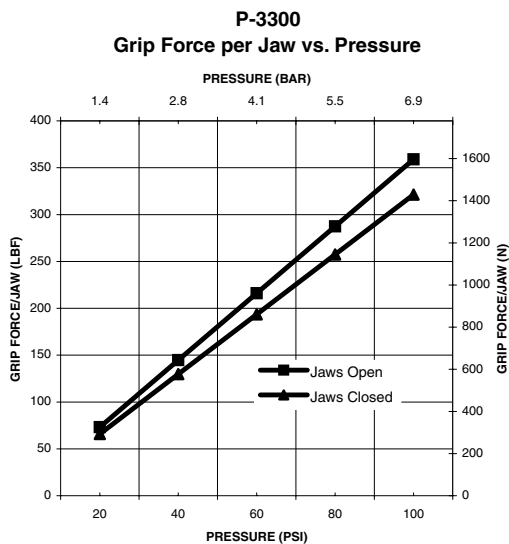
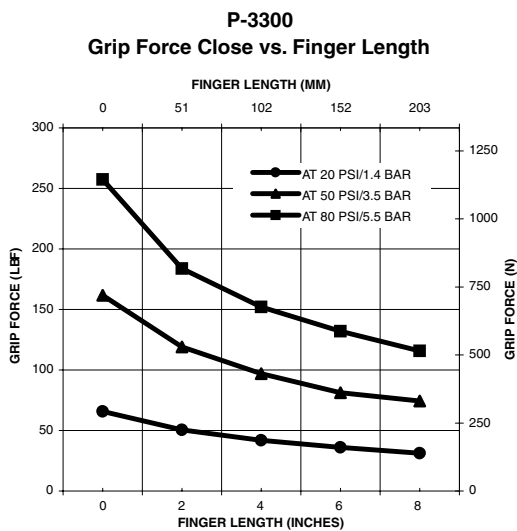
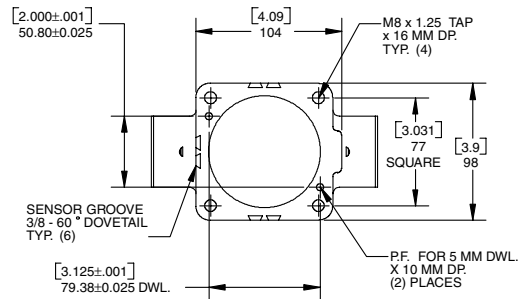


MODEL P-3300

Specifications

Total Stroke 60 mm (2.4 in)
 Total Grip Force at 6.2 bar/90 psi
 Open 2876 N (626 lbf)
 Close 2574 N (578 lbf)
 Grip Force per Jaw at 6.2 bar/90 psi
 Open 1438 N (323 lbf)
 Close 1287 N (289 lbf)
 Mass 3.0 kg (6.6 lb)
 Bore Diameter 80 mm (3.15 in)
 Max. Operating Pressure 8.3 bar (120 psi)



SIDE MOUNT VIEW

