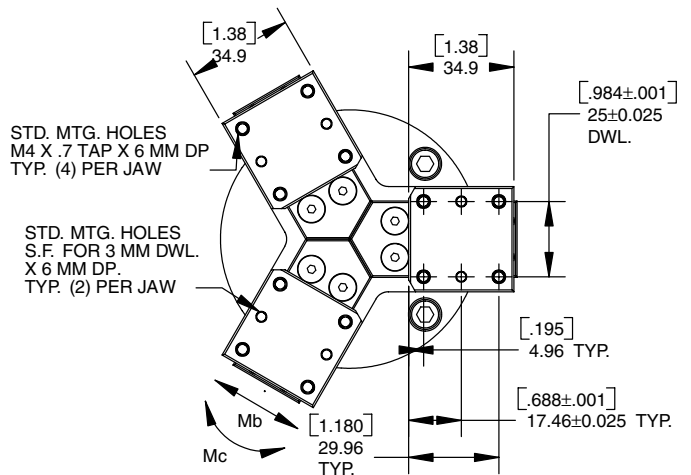
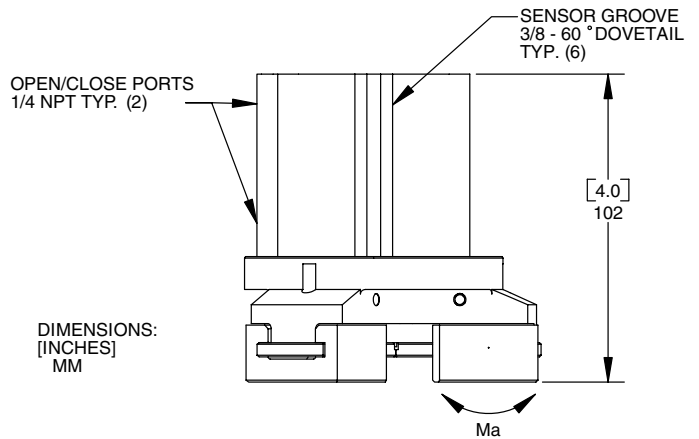
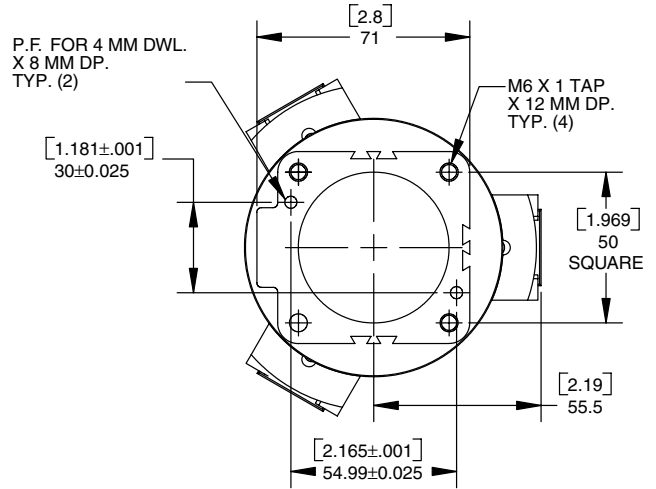


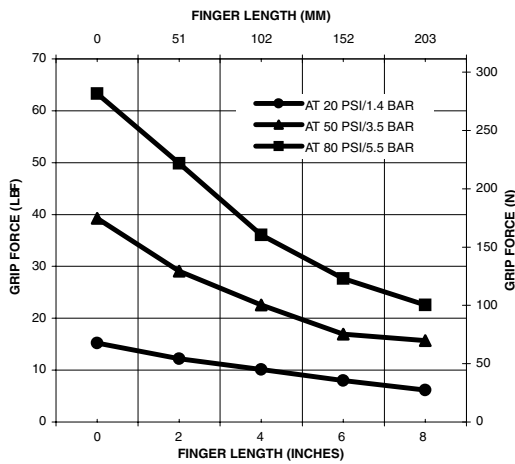
MODEL P-3700

Specifications

Total Stroke 12 mm (0.46 in)
 Total Grip Force at 6.2 bar/90 psi
 Open 1126 N (254 lbf)
 Close 952 N (214 lbf)
 Grip Force per Jaw at 6.2 bar/90 psi
 Open 375 N (85 lbf)
 Close 317 N (71 lbf)
 Mass 1.4 kg (3.1 lb)
 Bore Diameter 50 mm (1.97 in)
 Max. Operating Pressure 8.3 bar (120 psi)



P-3700
Grip Force Close vs. Finger Length



P-3700
Grip Force per Jaw vs. Pressure

