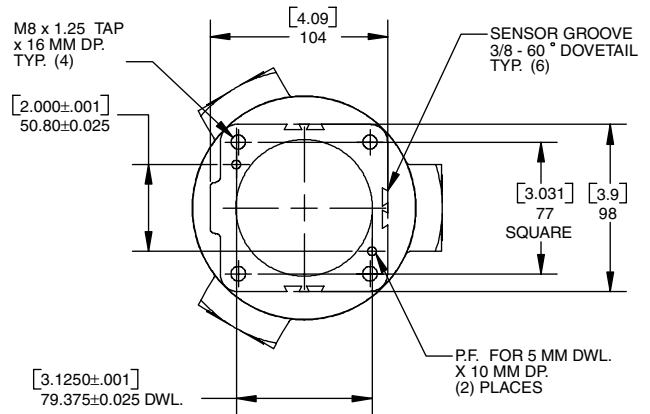


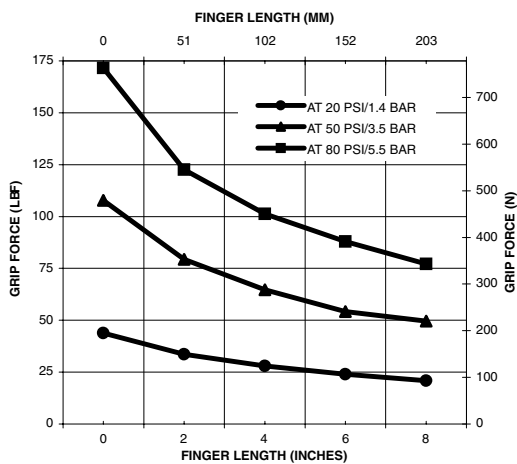
# MODEL P-3800

## Specifications

Total Stroke ..... 18 mm (7.2 in)  
 Total Grip Force at 6.2 bar/90 psi  
 Open ..... 2876 N (626 lbf)  
 Close ..... 2574 N (578 lbf)  
 Grip Force per Jaw at 6.2 bar/90 psi  
 Open ..... 959 N (209 lbf)  
 Close ..... 858 N (193 lbf)  
 Mass ..... 4.3 kg (9.5 lb)  
 Bore Diameter ..... 80 mm (3.15 in)  
 Max. Operating Pressure ..... 8.3 bar (120 psi)



**P-3800**  
**Grip Force Close vs. Finger Length**



**P-3800**  
**Grip Force per Jaw vs. Pressure**

