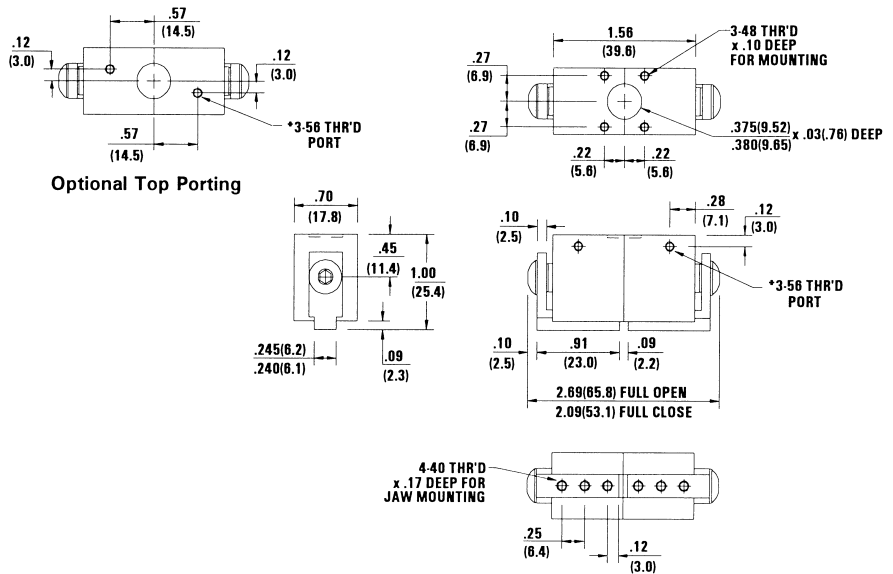


# MODEL P-7800

## Long Stroke—Miniature Grippers

### Specifications

Stroke . . . . . 0.50 in. (12.7mm)  
 Gripping Force—Closing @ 100 psi (6.8 bar)  
 . . . . . 6.9 lbs. (3.1 kgf)  
 Gripping Force—Opening @ 100 psi (6.8 bar)  
 . . . . . 13.5 lbs. (6.1 kgf)  
 Weight . . . . . 2.02 ozs. (57.27 g)  
 Operating Displacement . . . . . 0.075 in<sup>3</sup> (1.23 cm<sup>3</sup>)  
 Maximum Operating Pressure . . . 150 psi (10.2 bar)  
 —Air Only



\*Barbed Fitting for 1/16 ID Tube Supplied by Robotic Accessories

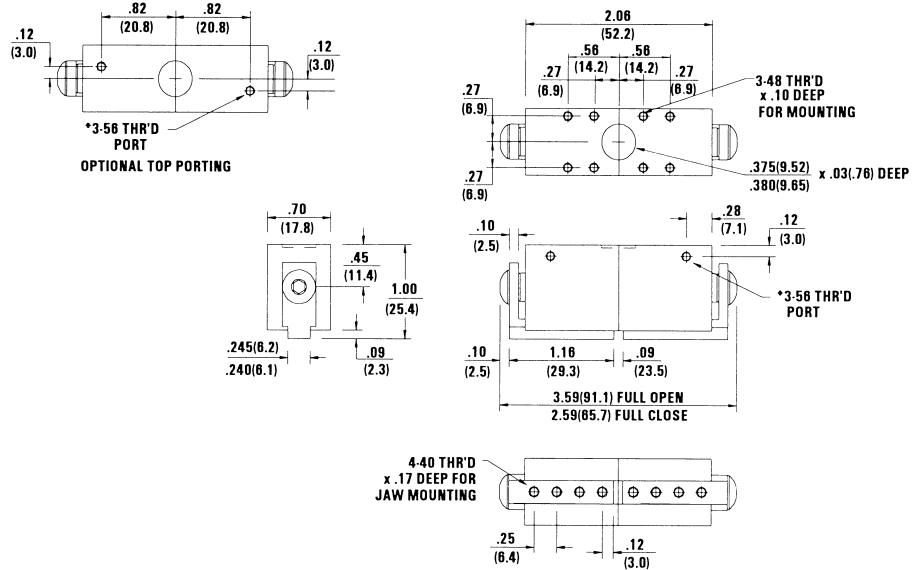
# MODEL P-7900

## Ultra Long Stroke—Miniature Grippers

### Specifications

Stroke<sup>†</sup> . . . . . 1.00 in. (25.4mm)  
 Gripping Force—Closing @ 100 psi (6.8 bar)  
 . . . . . 6.9 lbs. (3.1 kgf)  
 Gripping Force—Opening @ 100 psi (6.8 bar)  
 . . . . . 13.5 lbs. (6.1 kgf)  
 Weight . . . . . 2.53 ozs. (71.72 g)  
 Operating Displacement . . . . . 0.150 in<sup>3</sup> (2.46 cm<sup>3</sup>)  
 Maximum Operating Pressure . . . 150 psi (10.2 bar)  
 —Air Only

<sup>†</sup>Special 2 in. stroke model available.



\*Barbed Fitting for 1/16 ID Tube Supplied by Robotic Accessories